

PROCO

The Expansion Joint and Check Valve People



PROFLEX™ RUBBER CHECK VALVES SERIES 700

PROCO SERIES 700

The PROCO Series 700 ProFlex™ Rubber Check Valves are a cost effective way to control back pressures from sewage treatment plants, outfalls and tidal operations. They are a fully passive flow device requiring neither maintenance nor any outside sources of power or manual assistance to operate.

The PROCO Series 700 ProFlex™ Check valves are offered as direct replacements for ineffective and maintenance ridden flap type check valves, commonly known to seize, rust and bind in unwanted positions. Unlike flap type valves, the ProFlex™ rubber check valves will handle large obstructions without jamming or having swing gates binding open. Specify the PROCO Series 700 ProFlex™ rubber check valves to provide backflow protection from (1) Sewage slurries, (2) Outfalls to ocean fronts from heavy rainfall activity, (3) Prevention from land erosion due to back flow conditions, (4) Protection from saltwater to fresh water ponds and catch basins and numerous other water based applications. Our history in the manufacture of rubber piping products dates back to 1930. When an engineered solution is needed to solve a piping or backflow problem, call PROCO.

The PROCO Series 700 ProFlex™ Rubber Check valves are available in a Flanged (Style 710 or 720), Sleeved (Style 730 or 740), Jacketed (Style 750). Inline orifice (style 770/780), or low headloss in-line (Style 790)

- **Style 710: Flanged:** Designed to bolt directly to existing flanges or new installations, flanges are drilled to ANSI 125/150# standard. Other drilling standards are also available upon request. The style 710 can be installed in either vertical or horizontal applications.
- **Style 711/731 Flanged/Slip-on Slope Bottom Check Valves:** Designed for installation on pre-existing or new pipe lines such as manholes, outfalls, vaults, where the outfall invert of the pipe is close to the floor of the manhole or outfall. Can be engineered into the pipe layout with little concern for outfall clearance due to its "low slope" design.
- **Style 720: Flanged In-line:** Designed to fit directly inside of an existing pipe. Supplied with a flat face rubber flange which allows installation between existing pipe flanges eliminating the requirement for a valve body. Flanges are drilled to ANSI 125/150# standard. Other drilling standards are also available upon request.

- **Style 730: Sleeve Type:** Designed to easily slip over an existing pipe, and is affixed with heavy-duty stainless steel clamps. Can be installed in either a vertical or horizontal application.
- **Style 740: Slip In-Inline:** Designed to slip directly inside of an existing pipe. Supplied with a stainless steel expandable clamp to secure it in place.
- **Style 750: Jacketed:** Designed with a full metal enclosure which allows easy installation in existing piping systems. Utilizes the Style 710 as the check valve.
- **Style 770/780: Wafer Style:** Designed with a metal or plastic orifice plate and a rubber disk, this valve is an ideal valve to provide high back pressure capability on clean water applications.
- **Style 790: Low Headloss In-Line:** Designed as an all one piece constructed valve, the Style 790 is one of lowest headloss valves on the market. A passive flow device insuring no delamination.

ELASTOMERS: All of the PROCO Series 700 ProFlex™ Rubber Check Valves are available in a various selection of elastomers including NSF61/ANSI 6. Product certified under UL20160711-MH47689.

The PROCO Series 700 ProFlex™ Rubber Check Valves will not freeze or deform and function solely on the inlet and back pressures which will be present in each application. Each valve is carefully constructed using the finest of engineered materials and some of the most experienced rubber technicians in the industry. All check valves are engineered in precise detail to ensure proper operation and will provide years of unhindered operation and trouble free service.

Benefits of the PROCO Series 700 ProFlex™ Rubber Check Valves:

- All rubber construction resists abrasive slurries
- Barnacle resistant Neoprene is standard construction, with NSF61 valves also available.
- Very quiet operation with no water hammer
- Its unique design prevents backflow
- Negligible maintenance and energy costs
- Will not warp or freeze
- Quick interchange with any flap type check valve
- Available in sizes 1"– 96"
- Available with special I.D to suit concrete pipe.

Table 1: Available Materials • Temperatures

For Specific Elastomer Recommendations, See: PROCO™ "Chemical To Elastomer Guide"

PROCO Material Codes	Cover 1, 2 Elastomer	Tube Elastomer	Maximum Operating Temp. °F (°C)	F.S.A. Material Class
BB	Chlorobutyl	Chlorobutyl	250° (121°)	STD. III
EE	EPDM	EPDM	250° (121°)	STD. III
NH	Neoprene	CSM	212° (100°)	STD. II
NN	Neoprene	Neoprene	225° (107°)	STD. II
NN-NSF61 ³	Neoprene	Neoprene	225° (107°)	STD. II
PP	Nitrile	Nitrile ³	225° (107°)	STD. II
NR	Neoprene	Natural Rubber	180° (82°)	STD. I

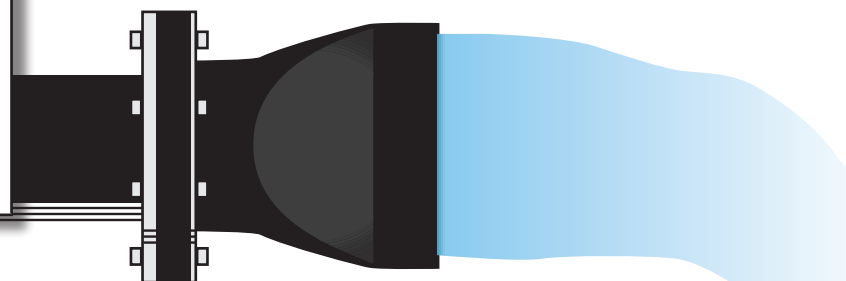
Notes: ProFlex™ is a trademark of PROCO Products, Inc.

All products are reinforced with polyester tire cord.

1. Check Valve "cover" can be CSM coated on special order.

2. Styles with Neoprene covers meet all requirements of U.S.C.G.

3. NN-NSF/61 UL Classified Water Quality



**PROCO Office hours are:
5:30 am to 5:15 pm (PST) • Monday thru Friday**

Proco
Style **710**
**ProFlex™ Flanged
Rubber Check Valves**



Proco
Style **711**
**ProFlex™ Flanged
Slope Bottom Check Valves**



Proco
Style **730**
**ProFlex™ Slip-on
Rubber Check Valves**



Proco
Style **731**
**ProFlex™ Slip-on Slope
Bottom Check Valves**



Proco
Style **720**
**ProFlex™ In-line
Flanged Rubber
Check Valves**



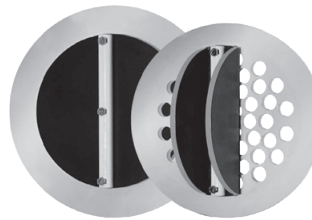
Proco
Style **740**
**ProFlex™ Slip-in Style
In-line Rubber Check
Valves**



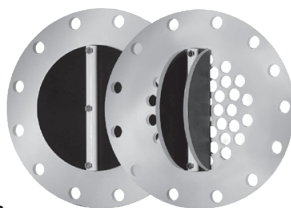
Proco
Style **750**
**ProFlex™ Jacketed
In-line Flanged
Rubber Check Valves**



Proco
Style **770**
**ProFlex™ Wafer
Style In-line Rubber
Check Valves**



Proco
Style **780**
**ProFlex™ Wafer
Style In-line Flanged
Rubber Check Valves**



Proco
Style **790**
**ProFlex™ Low
Headloss In-line
Rubber Check Valves**



PROCO STYLE 710

ProFlex™ Flanged Rubber Check Valves



The **ProFlex™ 710** is a full port, concentric design Rubber Duckbill Check Valve. The ProFlex™ 710 Rubber Duckbill Check Valves can be supplied with many different flange drilling configurations, including square or rectangular flanges to suit problematic sluice gate or flap gate replacements.

The unique advantage to this valve is its very low 1" - 2" (25mm-50mm) cracking pressure and is often referred to as the lowest head loss valve in the industry.

All **ProFlex™ 710** Rubber Duckbill Check Valves are supplied with 316ss retaining rings and can also be supplied with 304ss, Galvanized, Epoxy coated or FRP material if required.

The **ProFlex™ 710** Rubber Duckbill Check Valves come standard with ANSI 125/150 flange drilling and can also be supplied with DIN, JIS, BS or AS flange patterns.

All **ProFlex™ 710** Rubber Duckbill Check Valves are also available from inventory in a Standard Rated (SR) design up to 24in (600mm), and can also be custom manufactured to meet specific head and back pressures.

For higher pressure/vacuum requirements, the **ProFlex™ 710** Rubber Duckbill Check Valves can also be manufactured using a unique Internal Vacuum Supports (IVS) design which is homogeneous to the inner reinforced layers of the valve allowing a full flow with no obstructions and yet providing excellent anti-inversion features.

Table 2: Sizes • Flange Drilling • Weights

NOMINAL ¹ PIPE SIZE Inch / (mm)	Standard Dimensions for PROCO Style 710			Standard Drilling for PROCO Style 710				WEIGHT ² lbs / (kgs)
	Length Inch / (mm)	Duckbill Height Inch / (mm)	Flange O.D. Inch / (mm)	Bolt Circle Inch / (mm)	No. of Holes	Size of Holes Inch / (mm)		
1	(25)	6 (130)	2.60 (66)	4.25 (108.0)	3.13 (79.4)	4	0.625 (15.9)	2.0 (0.91)
1.5	(40)	7 (153)	3.20 (82)	5.00 (127.0)	3.88 (98.4)	4	0.625 (15.9)	2.50 (1.14)
2	(50)	7 (168)	3.90 (98)	6.00 (152.4)	4.75 (120.7)	4	0.750 (19.1)	5.00 (2.27)
2.5	(65)	8 (188)	5.10 (130)	7.00 (177.8)	5.50 (139.7)	4	0.750 (19.1)	6.00 (2.73)
3	(80)	9 (216)	5.50 (140)	7.50 (190.5)	6.00 (152.4)	4	0.750 (19.1)	8.00 (3.63)
4	(100)	11 (262)	7.40 (187)	9.00 (228.6)	7.50 (190.5)	8	0.750 (19.1)	11.00 (4.99)
5	(125)	12 (293)	9.40 (240)	10.00 (254.0)	8.50 (215.9)	8	0.875 (22.2)	13.00 (5.90)
6	(150)	13 (326)	10.50 (267)	11.00 (279.4)	9.50 (241.3)	8	0.875 (22.2)	17.00 (7.72)
8	(200)	15 (380)	13.70 (349)	13.50 (342.9)	11.75 (298.5)	8	0.875 (22.2)	27.00 (12.25)
10	(250)	18 (455)	17.30 (440)	16.00 (406.4)	14.25 (362.0)	12	1.000 (25.4)	40.00 (18.15)
12	(300)	21 (517)	20.50 (520)	19.00 (482.6)	17.00 (431.8)	12	1.000 (25.4)	53.00 (24.05)
14	(350)	24 (600)	24.20 (615)	21.00 (533.4)	18.75 (476.3)	12	1.150 (28.6)	64.00 (29.04)
16	(400)	25 (617)	27.60 (700)	23.50 (596.9)	21.25 (539.8)	16	1.150 (28.6)	93.00 (42.19)
18	(450)	27 (676)	31.10 (790)	25.00 (635.0)	22.75 (577.9)	16	1.250 (31.8)	135.00 (49.44)
20	(500)	30 (742)	32.30 (820)	27.50 (698.5)	25.00 (635.0)	20	1.250 (31.8)	155.00 (61.24)
24	(600)	39 (966)	38.60 (980)	32.00 (812.8)	29.50 (749.3)	20	1.375 (34.9)	235.00 (70.31)
28	(700)	42 (1060)	44.90 (1140)	36.50 (927.1)	34.00 (863.6)	28	1.375 (34.9)	420.00 (106.60)
30	(750)	44 (1097)	49.20 (1250)	38.75 (984.3)	36.00 (914.4)	28	1.375 (34.9)	565.00 (190.52)
32	(800)	45 (1140)	51.60 (1310)	41.75 (1060.5)	38.50 (977.9)	28	1.625 (41.3)	595.00 (256.29)
36	(900)	53 (1337)	59.40 (1510)	46.00 (1168.4)	42.75 (1085.9)	32	1.625 (41.3)	725.00 (269.90)
40	(1000)	54 (1353)	65.70 (1670)	50.75 (1289.1)	47.25 (1200.2)	36	1.625 (41.3)	845.00 (328.86)
42	(1050)	57 (1428)	67.30 (1710)	53.00 (1346.2)	49.50 (1257.3)	36	1.625 (41.3)	915.00 (383.29)
48	(1200)	64 (1613)	75.20 (1910)	59.50 (1511.3)	56.00 (1422.4)	44	1.625 (41.3)	1035.00 (415.05)
54	(1350)	68 (1726)	83.10 (2110)	66.25 (1682.8)	62.75 (1593.9)	44	2.000 (50.8)	1165.00 (469.48)
60	(1500)	74 (1875)	85.00 (2160)	73.00 (1854.2)	69.25 (1759.0)	52	2.000 (50.8)	1255.00 (569.27)
72	(1800)	87 (2197)	111.40 (2830)	86.50 (2197.1)	82.50 (2095.5)	60	2.000 (50.8)	1590.00 (721.22)

Notes: Higher back pressures can be provided by using internal vacuum supports and/or engineered Hi-Tensile reinforcement, contact PROCO.

1. Dimensions are approximate and may change due to pipe dimension changes, inlet, back pressures and flow rates.

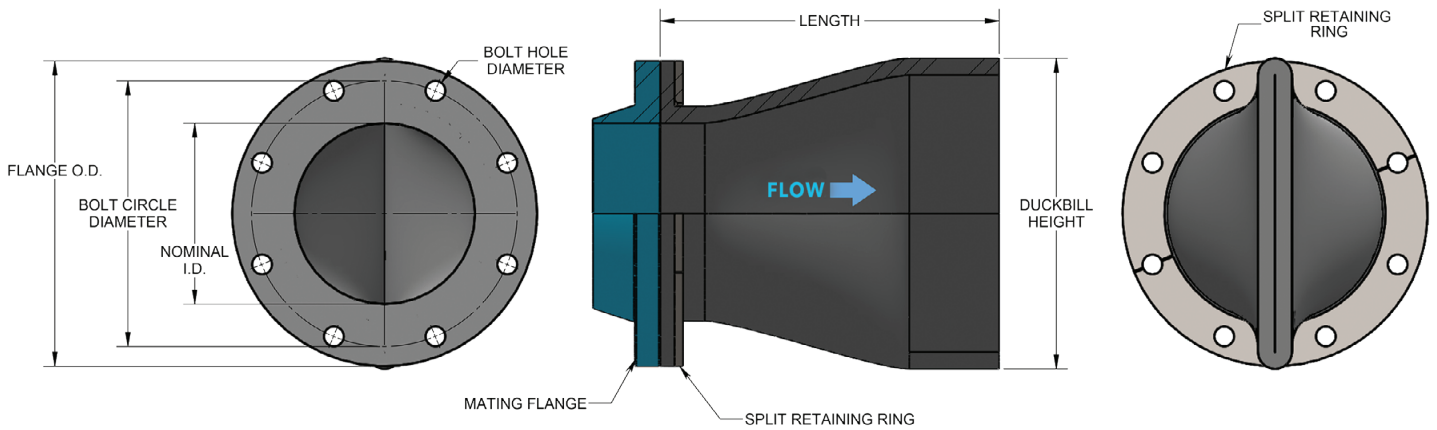
2. Larger sizes available upon request.

3. Weights are approximate.

Available Elastomers
Neoprene (Barnacle and Algae Resistant),
NSF/ANSI Standard 61, EPDM, Nitrile,
Natural Rubber, CSM and Chlorobutyl.



Detail of the *ProFlex™* Flanged Rubber Check Valve; Style 710



(800) 344-3246
sales@procoproducts.com

PROCO STYLE 711

ProFlex™ Flanged Slope Bottom Check Valves



The **Proco Style 711 ProFlex™** check valves are engineered for installation on pre-existing pipe lines such as manholes, outfalls, vaults, where the outfall invert of the pipe is close to the floor of the manhole or outfall. When a new installation is being designed, the 711 valves can be engineered into the pipe layout with little concern for outfall clearance due to its “low slope” design.

The new Style 711 check valves allow the valves to be installed without any costly and labor intensive changes to the existing structure. The 711 is engineered to crack open at 1-2” of head pressure and with its unique engineered sloping bottom, the valve ensures zero potential for standing water. With its all elastomer design, the valve can be installed without concern for the future seizing or rusting which can cause premature failure and maintenance issues.

How Does it Work?

The advantage to the Style 711 is the sloping bottom which has been developed to offset the issues commonly affiliated with other flat bottom valves which often entrap solids and flows due to its design. The 711 has been carefully designed to prevent this issue and has a minimal slope which allows complete drainage yet still ensures easy installs on minimal clearance areas.

The Style 711 has been engineered to provide a full port which is important in dealing with headloss and jet velocities. The valve is manufactured with 100% algae and barnacle resistant rubber and is also 100% fire resistant.

Advantages:

- Unique bottom slope design ensures 100% drainage
- Installs in flat outfall designs
- Available in both flanged and slip-on design
- An excellent choice for manholes and outfall installation
- Ensures sealing from rubbish and small solids

Materials of Construction

Neoprene, ANSI/NSF-61 certified product elastomers, EPDM and other elastomers available.

Other materials also available. Please contact Proco.

Mounting Clamps or Retaining Rings

304 or 316 Stainless Steel

Table 3: Sizes • Dimensions • Weights

NOMINAL PIPE SIZE Inch / (mm)		Standard Dimensions				WEIGHT ² lbs / (kgs)			
		Length Inch / (mm)		Duckbill Height Inch / (mm)				Eccentric Slope “ES” Inch / (mm)	
4	(100)	10.9	(279)	8.8	(224)	1.0	(25)	15	(6.80)
6	(150)	17.9	(454)	14.8	(375)	2.0	(50)	23	(10.43)
8	(200)	19.8	(504)	17.7	(450)	2.0	(50)	36	(16.33)
10	(250)	21.8	(554)	20.5	(520)	2.0	(50)	52	(23.59)
12	(300)	24.0	(609)	23.6	(600)	2.0	(50)	53	(24)
14	(350)	25.9	(659)	26.4	(670)	2.0	(50)	64	(29)
16	(400)	27.9	(709)	29.9	(760)	2.0	(50)	93	(42.2)
18	(450)	29.7	(754)	33.1	(840)	2.0	(50)	135	(61.2)
20	(500)	31.7	(804)	36.2	(920)	2.0	(50)	155	(70.3)
24	(600)	37.6	(955)	42.9	(1090)	2.0	(50)	235	(106.6)
30	(750)	45.7	(1160)	54.7	(1390)	3.0	(75)	565	(256.3)
36	(900)	52.8	(1340)	65.7	(1670)	3.0	(75)	725	(328.9)
42	(1050)	54.3	(1380)	70.1	(1780)	3.0	(75)	915	(415)
48	(1200)	62.2	(1580)	80.7	(2050)	4.0	(100)	1035	(469.5)
54	(1350)	65.0	(1650)	86.6	(2200)	4.0	(100)	1165	(528.4)
60	(1500)	66.9	(1700)	94.5	(2400)	4.0	(100)	1255	(569.3)
72	(1800)	76.8	(1950)	114.2	(2900)	4.0	(100)	1590	(721.2)

Notes: Higher back pressures can be provided by using internal vacuum supports and/or engineered Hi-Tensile reinforcement, contact PROCO.

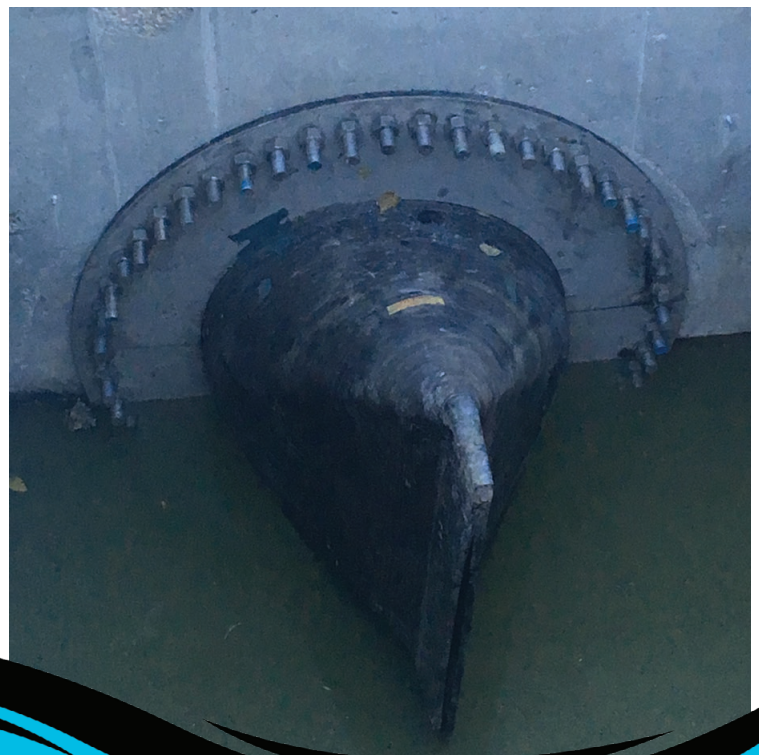
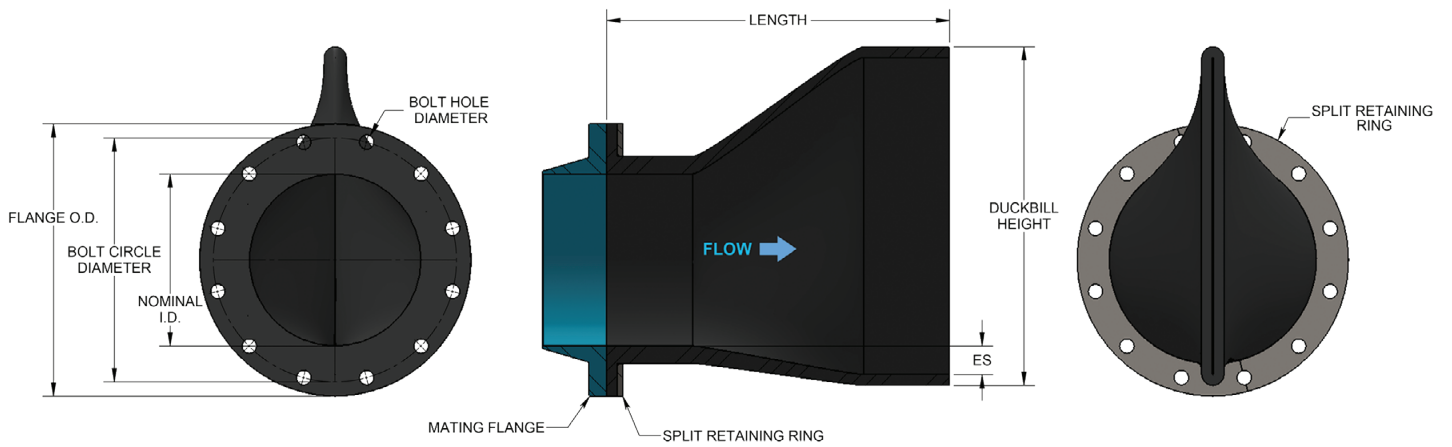
1. Dimensions are approximate and may change due to pipe dimension changes, inlet, back pressures and flow rates.

2. Larger sizes available upon request.

3. Weights are approximate.



Detail of the *ProFlex™* Flanged/Slip-On Slope Bottom Check Valve; Style 711



PROCO STYLE 731

ProFlex™ Slip-On Slope Bottom Check Valves



The **Proco Style 731 ProFlex™** check valves are engineered for installation on pre-existing pipe lines such as manholes, outfalls, vaults, where the outfall invert of the pipe is close to the floor of the manhole or outfall. When a new installation is being designed, the 731 valves can be engineered into the pipe layout with little concern for outfall clearance due to its “low slope” design.

The new Style 731 check valves allow the valves to be installed without any costly and labor intensive changes to the existing structure. The 731 is engineered to crack open at 1-2” of head pressure and with its unique engineered sloping bottom, the valve ensures zero potential for standing water. With its all elastomer design, the valve can be installed without concern for the future seizing or rusting which can cause premature failure and maintenance issues.

How Does it Work?

The advantage to the Style 731 is the sloping bottom which has been developed to offset the issues commonly affiliated with other flat bottom valves which often entrap solids and flows due to its design. The 731 has been carefully designed to prevent this issue and has a minimal slope which allows complete drainage yet still ensures easy installs on minimal clearance areas.

The Style 731 has been engineered to provide a full port which is important in dealing with headloss and jet velocities. The valve is manufactured with 100% algae and barnacle resistant rubber and is also 100% fire resistant.

Advantages:

- Unique bottom slope design ensures 100% drainage
- Installs in flat outfall designs
- Available in both flanged and slip-on design
- An excellent choice for manholes and outfall installation
- Ensures sealing from rubbish and small solids

Materials of Construction

Neoprene, ANSI/NSF-61 certified product elastomers, EPDM and other elastomers available.

Other materials also available. Please contact Proco.

Mounting Clamps or Retaining Rings

304 or 316 Stainless Steel

Table 4: Sizes • Dimensions • Weights

NOMINAL PIPE SIZE Inch / (mm)	Standard Dimensions			WEIGHT ² lbs / (kgs)	
	Length Inch / (mm)	Duckbill Height Inch / (mm)	Eccentric Slope “ES” Inch / (mm)		
4	(100)	12.8 (326)	8.8 (224)	1.0 (25)	15 (6.80)
6	(150)	17.9 (454)	14.8 (375)	2.0 (50)	23 (10.43)
8	(200)	19.8 (504)	17.7 (450)	2.0 (50)	36 (16.33)
10	(250)	21.8 (554)	20.5 (520)	2.0 (50)	52 (23.59)
12	(300)	27.9 (709)	23.6 (600)	2.0 (50)	59 (26.8)
14	(350)	29.9 (759)	26.4 (670)	2.0 (50)	76 (34.5)
16	(400)	31.9 (809)	29.9 (760)	2.0 (50)	90 (40.8)
18	(450)	33.6 (854)	33.1 (840)	2.0 (50)	130 (59)
20	(500)	37.5 (952)	36.2 (920)	2.0 (50)	200 (90.7)
24	(600)	43.3 (1100)	42.9 (1090)	2.0 (50)	215 (97.5)
30	(750)	51.7 (1314)	54.7 (1390)	3.0 (76)	460 (208.7)
36	(900)	59.4 (1510)	65.7 (1670)	3.0 (76)	585 (265.4)
42	(1050)	61.0 (1550)	70.1 (1780)	3.0 (76)	1075 (487.6)
48	(1200)	68.1 (1730)	80.7 (2050)	3.9 (100)	1350 (612.3)
54	(1350)	70.9 (1800)	86.6 (2200)	3.9 (100)	1630 (739.4)
60	(1500)	75.0 (1905)	94.5 (2400)	3.9 (100)	1715 (777.9)
72	(1800)	84.8 (2155)	114.2 (2900)	3.9 (100)	1900 (861.8)

Notes: Higher back pressures can be provided by using internal vacuum supports and/or engineered Hi-Tensile reinforcement, contact PROCO.

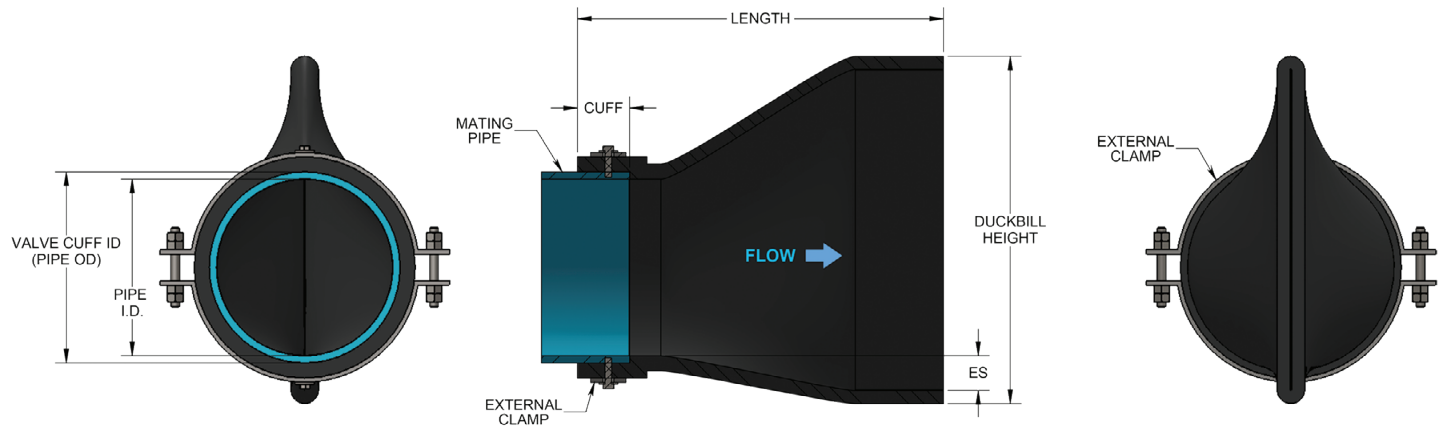
1. Dimensions are approximate and may change due to pipe dimension changes, inlet, back pressures and flow rates.

2. Larger sizes available upon request.

3. Weights are approximate.



Detail of the *ProFlex™* Flanged/Slip-On Slope Bottom Check Valve; Style 731



PROCO STYLE 730

ProFlex™ Slip-on Rubber Check Valves



The **ProFlex™ 730** Slip-on Rubber Duckbill Check Valve is designed to slip directly over an existing pipe, and is supplied with heavy duty stainless steel clamp(s) to secure it in place. Sizes 1" - 10" utilize T-Bolt clamps and sizes above 10" utilize Bolt-On Clamps for securing.

For higher pressure/vacuum requirements, the **ProFlex™ 730** Slip-on Rubber Duckbill Check Valve can also be manufactured using a unique Internal Vacuum Supports (IVS) design which is homogeneous to the inner reinforced layers of the valve allowing a full flow with no obstructions and yet providing excellent anti-inversion features.

The **ProFlex™ 730** Slip-on Rubber Duckbill Check Valve can be designed and manufactured to slip over any outside diameter pipe including oval and rectangular configurations.

Table 5: Sizes • Weights

NOMINAL 1 PIPE SIZE Inch / (mm)	Standard Dimensions for PROCO Style 730			WEIGHT 2 lbs / (kgs)	
	Cuff Width Inch / (mm)	Length Inch / (mm)	Duckbill Height Inch / (mm)		
1	(25)	1.00 (25)	4 (105)	2.60 (66)	0.5 (0.30)
1.5	(40)	1.00 (25)	5 (128)	3.20 (82)	0.75 (0.40)
2	(50)	2.00 (38)	6 (156)	3.90 (98)	2.5 (1.20)
2.5	(65)	2.00 (51)	7 (189)	5.10 (130)	3 (1.40)
3	(80)	3.00 (76)	10 (242)	5.50 (140)	5 (2.30)
4	(100)	3.00 (76)	12 (308)	7.40 (187)	7 (3.20)
5	(125)	3.00 (76)	13 (339)	9.40 (240)	10 (4.60)
6	(150)	4.00 (102)	18 (395)	10.50 (267)	12 (5.50)
8	(200)	4.00 (102)	18 (452)	13.70 (349)	20 (9.10)
10	(250)	4.00 (102)	21 (527)	17.30 (440)	33 (15.00)
12	(300)	6.00 (152)	26 (669)	20.50 (520)	59 (26.80)
14	(350)	6.00 (152)	30 (733)	24.20 (584)	76 (34.50)
16	(400)	6.00 (152)	33 (769)	27.60 (615)	90 (40.90)
18	(450)	6.00 (152)	36 (828)	31.10 (700)	130 (59.00)
20	(500)	8.00 (203)	37 (945)	32.30 (790)	200 (90.80)
24	(600)	8.00 (203)	44 (1119)	38.60 (820)	215 (97.60)
28	(700)	8.00 (203)	48 (1213)	44.90 (980)	365 (165.60)
30	(750)	10.00 (254)	51 (1301)	49.20 (1140)	460 (208.70)
32	(800)	10.00 (254)	53 (1344)	51.60 (1310)	495 (224.60)
36	(900)	10.00 (254)	61 (1541)	59.40 (1510)	585 (265.40)
40	(1000)	12.00 (305)	62 (1570)	65.80 (1670)	825 (374.20)
42	(1050)	12.00 (305)	66 (1683)	67.30 (1710)	1075 (487.70)
48	(1200)	12.00 (305)	74 (1868)	75.20 (1910)	1350 (612.40)
54	(1350)	12.00 (305)	78 (1981)	83.10 (2110)	1630 (739.40)
60	(1500)	12.00 (305)	84 (2130)	85.00 (2160)	1715 (778.00)
72	(1800)	12.00 (305)	97 (2452)	111.40 (2830)	1900 (861.90)



Notes: Higher back pressures can be provided by using internal vacuum supports and/or engineered Hi-Tensile reinforcement, contact PROCO.

1. Dimensions are approximate and may change due to pipe dimension changes, inlet, back pressures and flow rates.

2. Larger sizes available upon request.

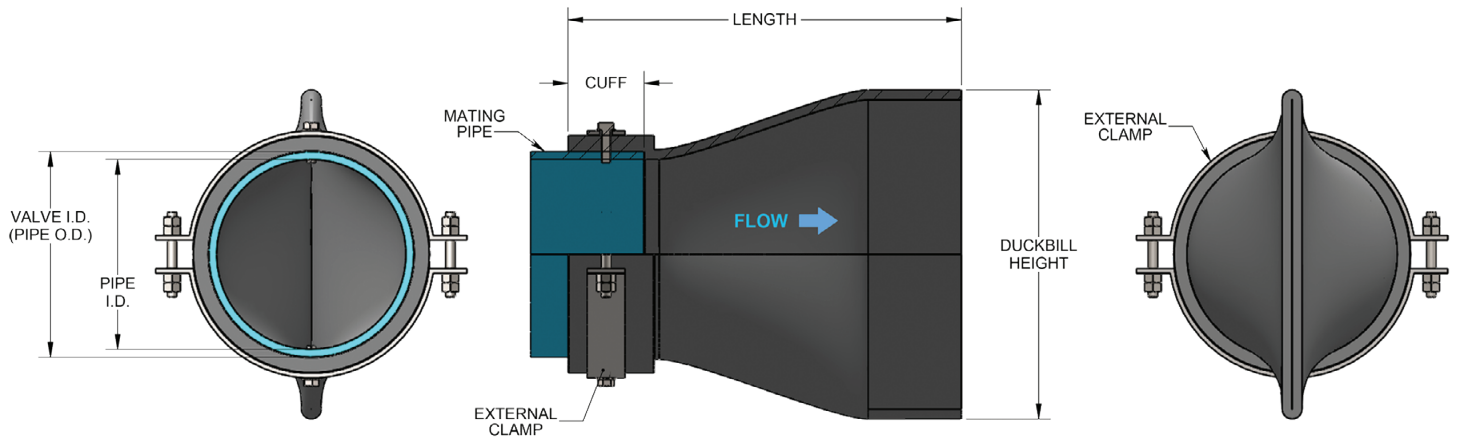
3. Weights are approximate.

Available Elastomers

Neoprene (Barnacle and Algae Resistant),
NSF/ANSI Standard 61, EPDM, Nitrile,
Natural Rubber, CSM and Chlorobutyl.



Detail of the *ProFlex™* Slip-on Rubber Check Valve; Style 730



(800) 344-3246
sales@proproducts.com

PROCO STYLE 720

ProFlex™ In-line Flanged Rubber Check Valves



The **ProFlex™ 720** Flanged In-line Rubber Duckbill Check Valve is designed to fit directly inside of an existing pipe. The unique advantage of this valve is that it can be slipped inside of the pipe and installed between existing pipe flanges, and eliminates the need for a valve body.

The **ProFlex™ 720** Flanged In-line Rubber Duckbill Check Valve comes standard with ANSI 125/150# flange drilling and can also be supplied with ANSI 250/300, DIN, JIS, BS or AS flange patterns.

All **ProFlex™ 720** Flanged In-line Rubber Duckbill Check Valves are special manufactured valves suited to your pipe I.D. and are available up to 96" in diameter and can also be custom manufactured to meet specific head and back pressures.

For higher pressure/vacuum requirements, the **ProFlex™ 720** Flanged In-line Rubber Duckbill Check Valve can also be manufactured using a unique Internal Vacuum Supports (IVS) design which is homogeneous to the inner reinforced layers of the valve allowing a full flow with no obstructions and yet providing excellent anti-inversion features.

Table 6: Sizes • Flange Drilling • Working Pressures • Weights

NOMINAL ¹ PIPE SIZE Inch / (mm)	Standard Dimensions for PROCO Style 720		Standard Drilling for PROCO Style 720				MAXIMUM WORKING PRESSURE (PSIG)	WEIGHT ² lbs / (kgs)	
	Length Inch / (mm)	Duckbill Height Inch / (mm)	Flange O.D. Inch / (mm)	Bolt Circle Inch / (mm)	No. of Holes	Size of Holes Inch / (mm)			
2	(50)	7 (175)	1.90 (48)	6.00 (152.4)	4.75 (120.7)	4	0.750 (19.1)	125	2.00 (1.4)
3	(80)	9 (225)	2.90 (73)	7.50 (190.5)	6.00 (152.4)	4	0.750 (19.1)	125	3.00 (1.8)
4	(100)	10 (252)	3.60 (90)	9.00 (228.6)	7.50 (190.5)	8	0.750 (19.1)	100	5.00 (3.6)
6	(150)	12 (300)	5.60 (140)	11.00 (279.4)	9.50 (241.3)	8	0.875 (22.2)	75	8.00 (5.4)
8	(200)	15 (390)	7.10 (180)	13.50 (342.9)	11.75 (298.5)	8	0.875 (22.2)	75	11.00 (5.9)
10	(250)	19 (483)	9.90 (251)	16.00 (406.4)	14.25 (362.0)	12	1.000 (25.4)	50	18.00 (13.2)
12	(300)	21 (533)	11.90 (302)	19.00 (482.6)	17.00 (431.8)	12	1.000 (25.4)	50	29.00 (16.8)
14	(350)	22 (558)	12.30 (310)	21.00 (533.4)	18.75 (476.3)	12	1.150 (28.6)	50	48.00 (18.6)
16	(400)	23 (572)	15.00 (380)	23.50 (596.9)	21.25 (539.8)	16	1.150 (28.6)	50	54.00 (22.7)
18	(450)	29 (732)	16.60 (420)	25.00 (635.0)	22.75 (577.9)	16	1.250 (31.8)	25	65.00 (71.7)
20	(500)	28 (710)	18.90 (480)	27.50 (698.5)	25.00 (635.0)	20	1.250 (31.8)	25	95.00 (106.1)
24	(600)	34 (860)	22.10 (560)	32.00 (812.8)	29.50 (749.3)	20	1.375 (34.9)	25	165.00 (139.7)
28	(700)	39 (980)	26.40 (670)	36.50 (927.1)	34.00 (863.6)	28	1.375 (34.9)	25	253.00 (164.2)
30	(750)	53 (1354)	29.10 (738)	38.75 (984.3)	36.00 (914.4)	28	1.375 (34.9)	25	305.00 (189.1)
36	(900)	53 (1346)	35.80 (909)	46.00 (1168.4)	42.75 (1085.9)	32	1.625 (41.3)	25	615.00 (226.3)
42	(1,050)	54 (1380)	40.60 (1030)	53.00 (1346.2)	49.50 (1257.3)	36	1.625 (41.3)	25	695.00 (330.7)
48	(1,200)	61 (1555)	46.50 (1180)	59.50 (1511.3)	56.00 (1422.4)	44	1.625 (41.3)	25	735.00 (342.0)
54	(1,350)	65 (1650)	53.20 (1350)	66.25 (1682.8)	62.75 (1593.9)	44	2.000 (50.8)	25	1095.00 (368.8)
60	(1,500)	71 (1800)	58.70 (1490)	73.00 (1854.2)	69.25 (1759.0)	52	2.000 (50.8)	25	1255.00 (437.3)
72	(1,800)	81 (2050)	70.50 (1790)	86.50 (2197.1)	82.50 (2095.5)	60	2.000 (50.8)	25	1590.00 (510.3)

Notes: Higher back pressures can be provided by using internal vacuum supports and/or engineered Hi-Tensile reinforcement, contact PROCO.

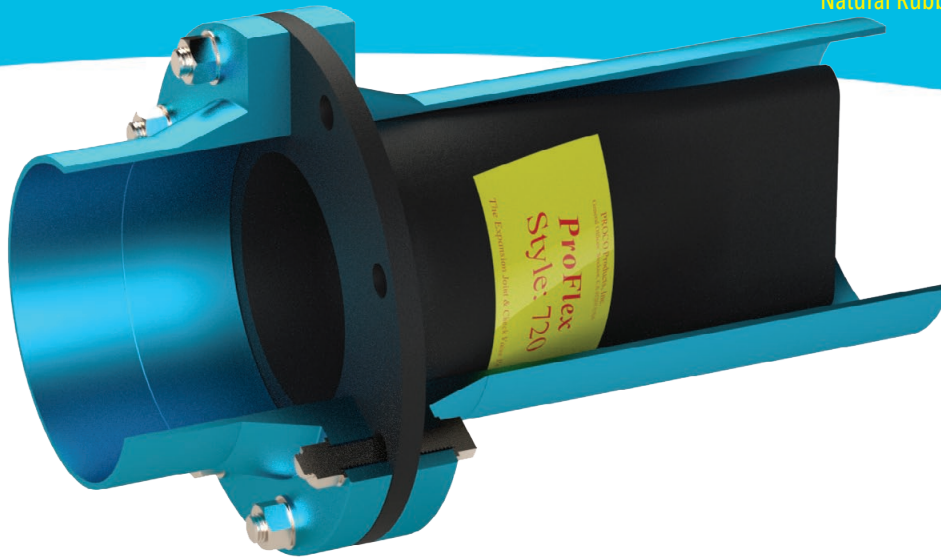
1. Dimensions are approximate and may change due to pipe dimension changes, inlet, back pressures and flow rates.

2. Larger sizes available upon request.

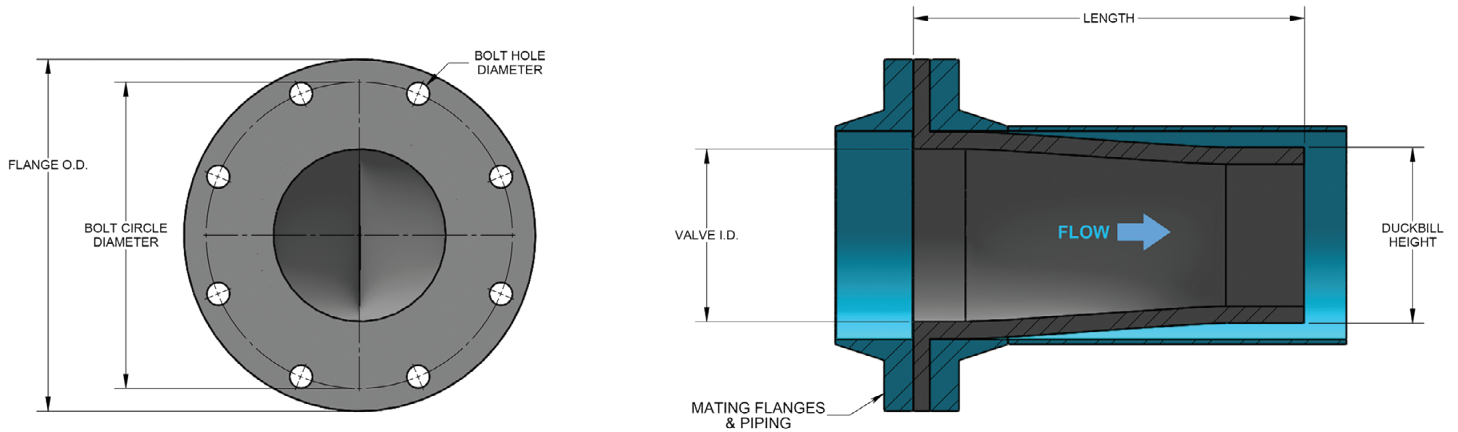
3. Weights are approximate.

Available Elastomers

Neoprene (Barnacle and Algae Resistant),
NSF/ANSI Standard 61, EPDM, Nitrile,
Natural Rubber, CSM and Chlorobutyl.



Detail of the *ProFlex™* In-line Flanged Rubber Check Valve; Style 720



(800) 344-3246
sales@procoproducts.com

PROCO STYLE 740

ProFlex™ Slip-in Style In-line Rubber Check Valves



The **ProFlex™ 740** In-line Rubber Duckbill Check Valve is designed to fit directly inside of an existing pipe, and is supplied with a stainless steel internal expandable clamp to secure it in place.

For higher pressure/vacuum requirements, the **ProFlex™ 740** In-line Rubber Duckbill Check Valve can also be manufactured using a unique Internal Vacuum Supports (IVS) design which is homogeneous to the inner reinforced layers of the valve allowing full flow with no obstructions and yet providing excellent anti-inversion features.

Table 7: Sizes • Working Pressures • Weights

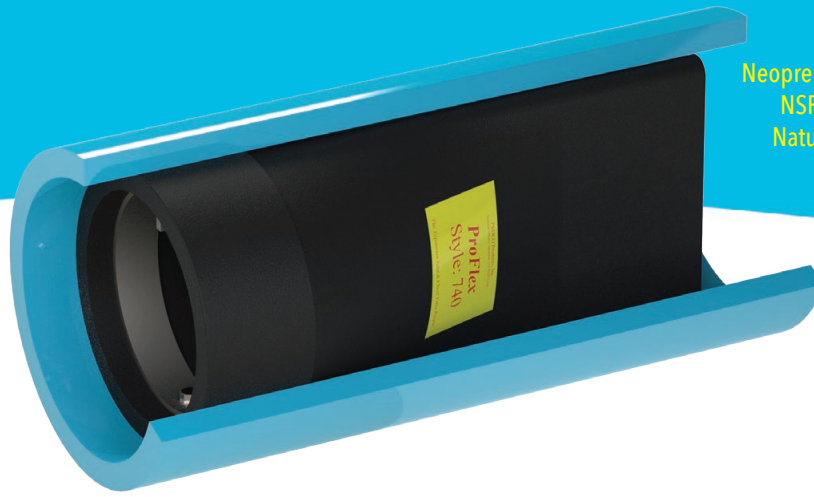
NOMINAL ¹ PIPE SIZE Inch / (mm)	Standard Dimensions for PROCO Style 740			MAXIMUM WORKING PRESSURE (PSIG)	WEIGHT ² lbs / (kgs)	
	Cuff Width Inch / (mm)	Length Inch / (mm)	Duckbill Height Inch / (mm)			
2	(50)	1.50 (38)	7 (173)	1.89 (48)	125	2 (0.91)
3	(80)	2.99 (76)	10 (261)	2.87 (73)	125	3 (1.37)
4	(100)	2.99 (76)	11 (288)	3.54 (90)	100	4 (1.82)
6	(150)	4.02 (102)	14 (362)	5.51 (140)	75	12 (5.45)
8	(200)	4.02 (102)	18 (452)	7.09 (180)	75	14 (6.36)
10	(250)	4.02 (102)	22 (558)	9.90 (251)	50	17 (7.72)
12	(300)	5.98 (152)	24 (610)	11.90 (302)	50	27 (12.25)
14	(350)	5.98 (152)	26 (670)	12.20 (310)	50	39 (17.70)
16	(400)	5.98 (152)	27 (684)	14.96 (380)	50	44 (19.96)
18	(450)	5.98 (152)	33 (844)	16.54 (420)	25	72 (32.66)
20	(500)	7.99 (203)	34 (873)	18.90 (480)	25	110 (49.90)
24	(600)	7.99 (203)	38 (973)	22.05 (560)	25	125 (56.70)
28	(700)	7.99 (203)	43 (1093)	26.38 (670)	25	215 (97.53)
30	(750)	10.00 (254)	60 (1518)	29.06 (738)	25	415 (188.25)
36	(900)	10.00 (254)	62 (1575)	35.80 (909)	25	770 (349.27)
42	(1050)	12.00 (305)	63 (1595)	40.55 (1030)	25	800 (362.88)
48	(1200)	12.00 (305)	70 (1770)	46.46 (1180)	25	920 (417.31)
54	(1350)	12.00 (305)	73 (1865)	53.15 (1350)	25	1110 (503.50)
60	(1500)	12.00 (305)	79 (2015)	58.66 (1490)	25	1200 (544.32)
72	(1800)	12.00 (305)	89 (2265)	70.47 (1790)	25	1450 (657.72)

Notes: Higher back pressures can be provided by using internal vacuum supports and/or engineered Hi-Tensile reinforcement, contact PROCO.

1. Dimensions are approximate and may change due to pipe dimension changes, inlet, back pressures and flow rates.

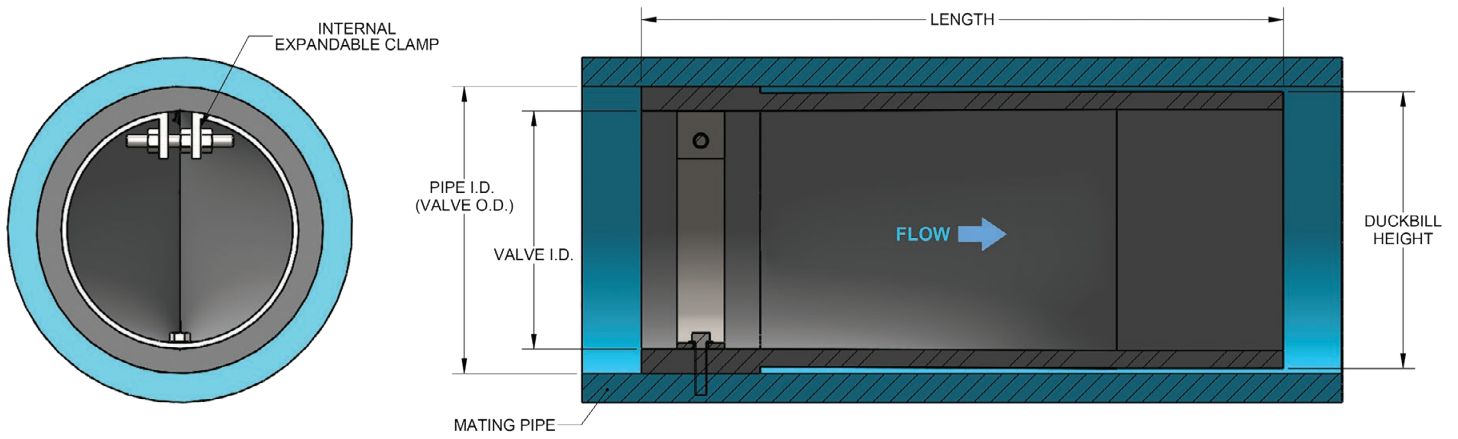
2. Larger sizes available upon request.

3. Weights are approximate..



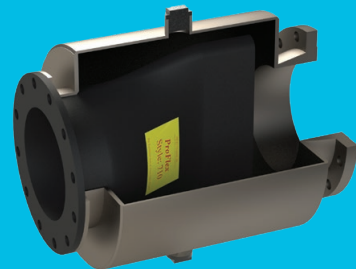
Available Elastomers
 Neoprene (Barnacle and Algae Resistant),
 NSF/ANSI Standard 61, EPDM, Nitrile,
 Natural Rubber, CSM and Chlorobutyl.

Detail of the *ProFlex*TM Slip-in In-line Rubber Check Valve; Style 740



(800) 344-3246
 sales@procoproducts.com

PROCO STYLE 750



ProFlex™ Jacketed In-line Flanged Rubber Check Valves

Unique Features

- Maintenance free
- Will seal even with solids entrapment
- Designed to withstand wear
- Quiet operation, no water hammer!
- 100% backflow prevention
- Tough enough for abrasive slurries
- No body halves with problematic sealing issues

The **ProFlex™ 750** is designed to be the answer to enclosed body check valve requirements for slurry applications. It requires no external power sources, thereby making operation costs obsolete.

The valve's unique design means there are no mechanical parts to break down or wear therefore reducing maintenance costs.

The **ProFlex™ 750** easily allows flow of abrasive materials such as raw sewage, sludges or slurries. The elastomer's flexible design allows the media to flow without significant head losses and will seal around solids trapped in the valve.

The **ProFlex™ 750** valves are versatile and can be installed either horizontally or vertically and are designed within industry standards for flange size and drilling.

Vacuum supports can be supplied independent to the valve as well as internal supports which can ensure back pressures up to 600 psi depending on pipe size.

Applications

Potable Water Outfalls - Stand Pipes - Sewer Interceptors - Wet Wells - Mine Tailing Pipeline outfalls - Dredging - Scrubber Pipe Systems - Outfall Lines - Pneumatic Conveying- Pump Backflow Protection

Construction

The solid carbon steel body (optional materials are available) and one-piece rubber valve provide lasting durability. The unique feature is the pull through design which provides a tamper proof valve required for Homeland Security Issues. The 2 flush ports allows for easy cleaning of the valve's interior body.

Replacement Costs?

Cost Effective and Simple! The inner sleeve is a standard **ProFlex™ 710** readily available for quick replacement if the sleeve does need unlikely replacement.



Table 8: Sizes • Dimensions • Working Pressure

PIPE SIZE ID	D Length	C Height	W Width	Working Pressure (psig)
1"	4.5"	5.75"	4.25"	125
1.25"	5.5"	6"	4.5"	125
1.5"	6.5"	6.5"	5"	125
2"	8.5"	8"	6"	125
2.5"	9.5"	9.25"	7"	125
3"	11.5"	9.75"	7.5"	125
4"	11.75"	11.75"	9"	125
6"	19"	14.5"	11"	100
8"	21"	19"	13.5"	100
10"	23"	23"	16"	75
12"	25"	27"	19"	75
14"	29"	28.5"	21"	50
16"	33"	30"	25"	50
18"	38"	33.5"	25"	50
20"	41.5"	37"	27.5"	50
24"	49.5"	48"	32"	50

Notes: Higher back pressures can be provided by using internal vacuum supports and/or engineered Hi-Tensile reinforcement, contact PROCO.

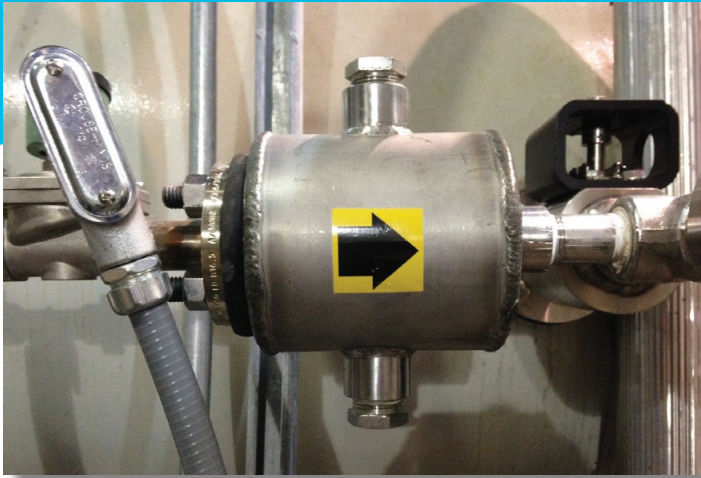
1. Dimensions are approximate and may change due to pipe dimension changes, inlet, back pressures and flow rates.

2. Larger sizes available upon request.

3. Weights are approximate.

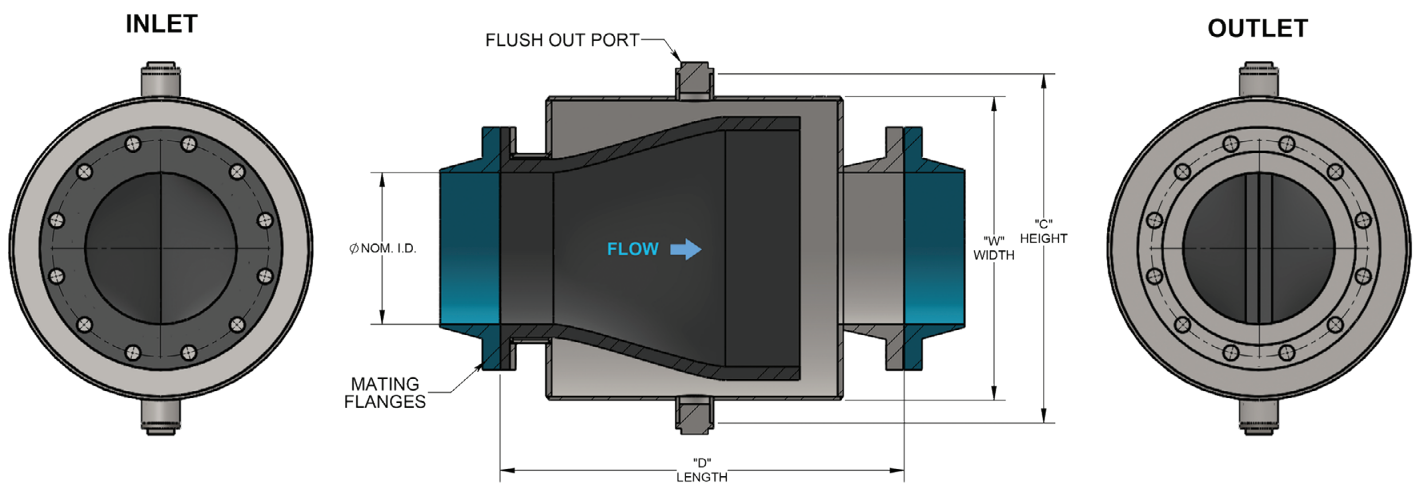
Available Elastomers

Neoprene (Barnacle and Algae Resistant),
NSF/ANSI Standard 61, EPDM, Nitrile,
Natural Rubber, CSM and Chlorobutyl.



Vacuum and high back pressure supports ensure continued protection in severe back flow conditions

Detail of the *ProFlex™* Jacketed In-line Flanged Rubber Check Valve; Style 750



(800) 344-3246
sales@procoproducts.com

PROCO STYLE 770

ProFlex™ Wafer Style In-line Rubber Check Valves

Available Elastomers
Neoprene (Barnacle and Algae Resistant),
NSF/ANSI Standard 61, EPDM, Nitrile,
Natural Rubber, CSM and Chlorobutyl.

The **ProFlex™ 770/780** Wafer Style In-line Rubber Check Valves are designed to be installed between two mating flanges and offers space saving dimensions as opposed to other flap type check valves.

The **ProFlex™ 780** Wafer Style In-line Rubber Check Valve comes standard with ANSI 125/150# flange drilling and can also be supplied with ANSI 250/300, DIN, JIS, BS or AS flange patterns.

The **ProFlex™ 770** Wafer Style In-line Rubber Check Valve Is designed to fit securely inside the bolt circle of the mating flanges.



Table 9: Sizes • Dimensions • Flow Data

NOMINAL ¹ PIPE SIZE Inch / (mm)	Standard Dimensions for PROCO Style 770		Back Pressure PSIG / (bar)	VELOCITY (ft/s) vs. HEADLOSS (ft) ²					
	Plate Thickness Inch / (mm)	Plate O.D. Inch / (mm)		1	2	4	6	8	10
4 (100)	0.250 (6.35)	6.19 (157.23)	150 (10.0)	0.40	1.29	3.97	6.18	8.17	9.83
6 (150)	0.250 (6.35)	8.50 (215.90)	150 (10.0)	0.44	1.48	4.31	6.54	8.50	10.16
8 (200)	0.375 (9.53)	10.63 (270.00)	150 (10.0)	0.48	1.67	4.64	6.91	8.84	10.48
10 (250)	0.375 (9.53)	12.75 (323.85)	150 (10.0)	0.52	1.86	4.98	7.27	9.17	10.81
12 (300)	0.500 (12.70)	15.00 (381.00)	150 (10.0)	0.56	2.05	5.32	7.63	9.51	11.14
14 (350)	0.500 (12.70)	16.25 (412.75)	150 (10.0)	1.18	2.77	5.82	8.02	9.79	11.37
16 (400)	0.750 (19.05)	18.00 (457.20)	150 (10.0)	1.80	3.50	6.33	8.41	10.08	11.60
18 (450)	0.750 (19.05)	19.88 (504.95)	150 (10.0)	2.42	4.23	6.84	8.79	10.37	11.83
20 (500)	0.750 (19.05)	22.00 (558.80)	150 (10.0)	2.82	4.69	7.17	9.05	10.56	11.98
24 (600)	1.000 (25.40)	27.25 (692.15)	150 (10.0)	2.86	4.75	7.24	9.12	10.64	12.06
30 (750)	1.000 (25.40)	34.50 (876.30)	150 (10.0)	2.93	4.84	7.35	9.21	10.75	12.17
36 (900)	1.000 (25.40)	41.00 (1041.40)	150 (10.0)	2.99	4.93	7.46	9.31	10.86	12.28

Notes: Higher back pressures can be provided by using internal vacuum supports and/or engineered Hi-Tensile reinforcement, contact PROCO.

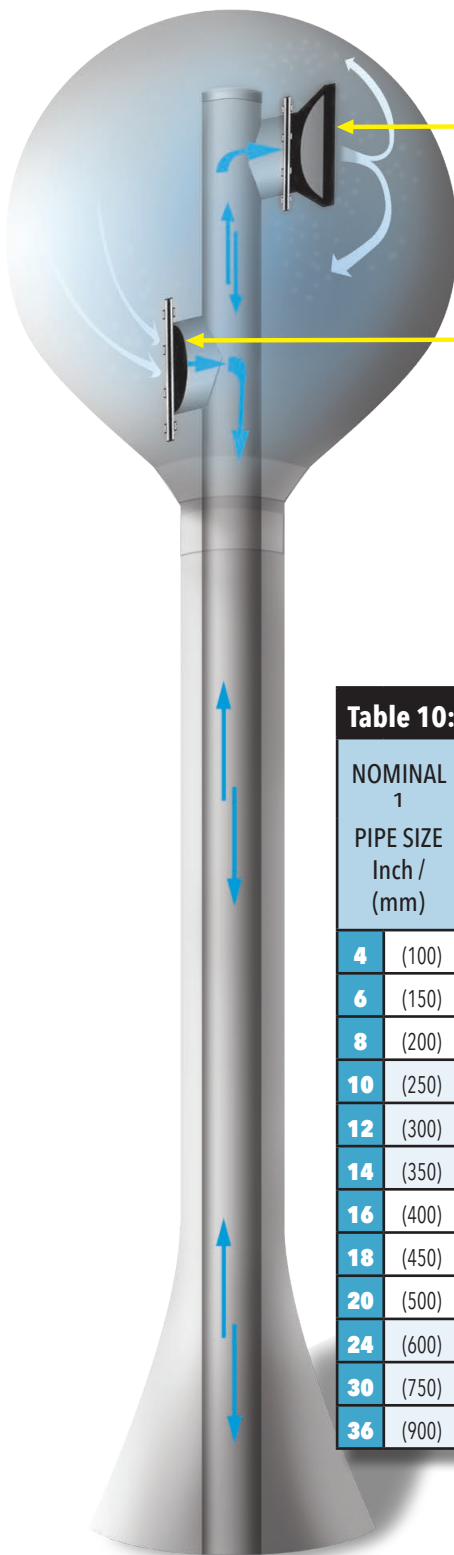
1. Dimensions are approximate and may change due to pipe dimension changes, inlet, back pressures and flow rates.

2. Larger sizes available upon request.

3. Weights are approximate.

PROCO STYLE 780

ProFlex™ Wafer Style In-line Flanged Rubber Check Valves



Inlet Valves

- ProFlex™ Style 710
- Opens during tank filling
- Provides complete mixing with optimal jet velocities
- Closed during tank draining

Outlet Valves

- ProFlex™ Style 780
- Closed during tank filling
- Opens for tank draining

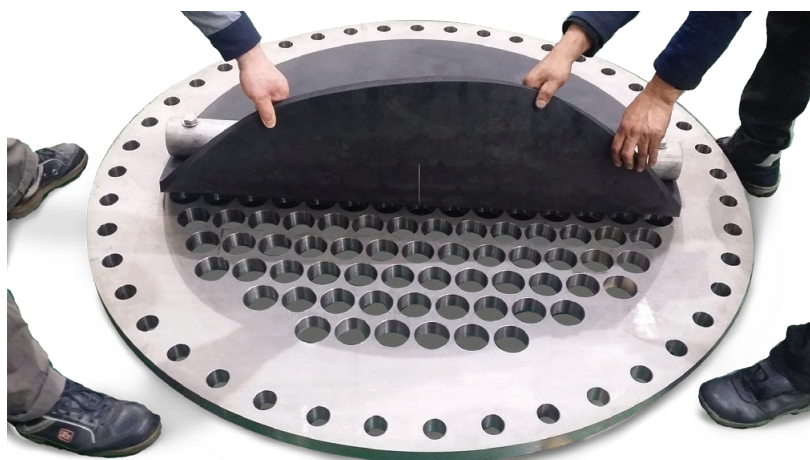


Table 10: Sizes • Dimensions • Drilling • Flow Data

NOMINAL 1 PIPE SIZE Inch / (mm)	Standard Dimensions for PROCO Style 780						Back Pressure PSIG / (Bar)	VELOCITY (ft/s) vs. HEADLOSS (ft) ²					
	Plate Thickness Inch / (mm)	Flange O.D. Inch / (mm)	Bolt Circle Inch / (mm)	No. of Holes	Size of Holes Inch / (mm)	1		2	4	6	8	10	
4	(100)	0.250 (6.35)	9.00 (228.60)	7.50 (190.50)	8	0.750 (19.1)	150 (10.0)	0.40	1.29	3.97	6.18	8.17	9.83
6	(150)	0.250 (6.35)	11.00 (279.40)	9.50 (241.30)	8	0.875 (22.2)	150 (10.0)	0.44	1.48	4.31	6.54	8.50	10.16
8	(200)	0.375 (9.53)	13.50 (342.90)	11.75 (298.45)	8	0.875 (22.2)	150 (10.0)	0.48	1.67	4.64	6.91	8.84	10.48
10	(250)	0.375 (9.53)	16.00 (406.40)	14.25 (361.95)	12	1.000 (25.4)	150 (10.0)	0.52	1.86	4.98	7.27	9.17	10.81
12	(300)	0.500 (12.70)	19.00 (482.60)	17.00 (431.80)	12	1.000 (25.4)	150 (10.0)	0.56	2.05	5.32	7.63	9.51	11.14
14	(350)	0.500 (12.70)	21.00 (533.40)	18.75 (476.25)	12	1.250 (31.8)	150 (10.0)	1.18	2.77	5.82	8.02	9.79	11.37
16	(400)	0.750 (19.05)	23.50 (596.90)	21.25 (539.75)	16	1.250 (31.8)	150 (10.0)	1.80	3.50	6.33	8.41	10.08	11.60
18	(450)	0.750 (19.05)	25.00 (635.00)	22.75 (577.85)	16	1.250 (31.8)	150 (10.0)	2.42	4.23	6.84	8.79	10.37	11.83
20	(500)	0.750 (19.05)	27.50 (698.50)	25.00 (635.00)	20	1.250 (31.8)	150 (10.0)	2.82	4.69	7.17	9.05	10.37	11.98
24	(600)	1.000 (25.40)	32.00 (812.80)	29.50 (749.30)	20	1.375 (34.9)	150 (10.0)	2.86	4.75	7.24	9.12	10.56	12.06
30	(750)	1.000 (25.40)	38.75 (984.25)	36.00 (914.40)	28	1.375 (34.9)	150 (10.0)	2.93	4.84	7.35	9.21	10.75	12.17
36	(900)	1.000 (25.40)	46.00 (1168.40)	42.75 (1085.85)	32	1.625 (41.3)	150 (10.0)	2.99	4.93	7.46	9.31	10.86	12.28

Notes: Higher back pressures can be provided by using internal vacuum supports and/or engineered Hi-Tensile reinforcement, contact PROCO.

1. Dimensions are approximate and may change due to pipe dimension changes, inlet, back pressures and flow rates.

2. Larger sizes available upon request.

3. Weights are approximate.

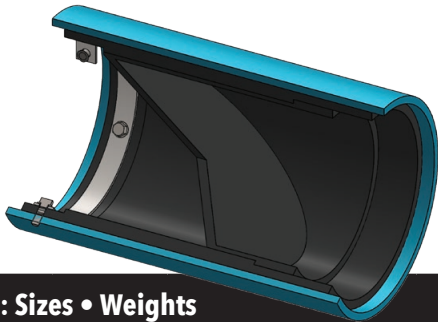
PROCO STYLE 790

ProFlex™ Low Headloss In-Line Rubber Check Valves



The **ProFlex™ 790** Low Headloss In-line Rubber Duckbill Check Valve design allows for a passive flow and allows the valve to be installed without having to do any modifications to existing structures or costly pre-install planning. The unique fold away design of the inner sleeve also allows for a near full port flow, allowing for quick drainage.

The **ProFlex™ 790** Low Headloss In-line Rubber Duckbill Check Valve is the valve of choice for municipalities, airport runway runoffs, railway washouts, highway flood damage prevention and odor control. The 790's unique design provides rapid dispersion of head pressures and with its low cracking pressure, it prevents upstream flooding.



The **ProFlex™ 790** Low Headloss In-line Rubber Duckbill Check Valve's ZERO backflow design, make it the perfect fit for:

- **Combined Sewer Overflows (CSO'S):**

A combined sewer is a sewage collection system of pipe and tunnels designed to also collect surface runoff. Combined sewers can cause serious water pollution problems during combined sewer overflow (CSO) events when wet weather flows exceed the sewage treatment plant capacity.

- **Sanitary Sewer Overflow:**

A condition in which untreated sewage is discharged from a sanitary sewer into the environment prior to reaching sewage treatment facilities.

- **Outfalls:**

An outfall is the discharge point of a waste stream into a body of water; alternatively, it may be the outlet of a river, drain or a sewer where it discharges into a body of water.

Table 11: Sizes • Weights

NOMINAL 1 PIPE SIZE Valve I.D. Inch / (mm)	Internal Clamp(s) #/Valve Segment	Standard Dimensions/Ratings for PROCO Style 790			WEIGHT 2 lbs / (kgs)	
		Cuff Width Inch / (mm)	Length Inch / (mm)	Backpressure Feet / (m)		
3	(80)	1 1	2.00 (38)	8 (204)	40 (12)	5 (2.27)
4	(100)	1 1	2.00 (38)	9 (229)	40 (12)	5 (2.27)
6	(150)	1 1	3.00 (51)	12 (305)	40 (12)	8 (3.63)
8	(200)	1 1	3.00 (51)	14 (356)	40 (12)	14 (6.36)
10	(250)	1 1	3.00 (51)	16 (407)	40 (12)	18 (8.17)
12	(300)	1 1	3.00 (51)	20 (508)	40 (12)	35 (15.88)
14	(350)	1 1	5.00 (102)	26 (661)	20 (6)	75 (34.02)
16	(400)	1 1	5.00 (102)	29 (737)	20 (6)	115 (52.17)
18	(450)	1 1	5.00 (102)	31 (788)	20 (6)	137 (62.15)
20	(500)	2 2	8.00 (203)	43 (1093)	20 (6)	210 (95.26)
24	(600)	2 2	8.00 (203)	48 (1220)	20 (6)	300 (136.08)
30	(750)	2 2	8.00 (203)	55 (1397)	20 (6)	476 (215.92)
36	(900)	2 2	8.00 (203)	63 (1601)	20 (6)	785 (356.08)
42	(1050)	2 2	8.00 (203)	71 (1804)	15 (5)	1350 (612.36)
48	(1200)	2 3	8.00 (203)	80 (2032)	15 (5)	1725 (782.46)
54	(1350)	2 3	8.00 (203)	87 (2210)	15 (5)	2500 (1134.00)
60	(1500)	2 3	12.00 (305)	103 (2617)	15 (5)	3225 (1462.86)
72	(1800)	3 3	12.00 (305)	127 (3226)	12 (4)	6650 (3016.43)

Notes: Higher back pressures can be provided by using internal vacuum supports and/or engineered Hi-Tensile reinforcement, contact PROCO.

1. Dimensions are approximate and may change due to pipe dimension changes, inlet, back pressures and flow rates.

2. Larger sizes available upon request.

3. Weights are approximate.



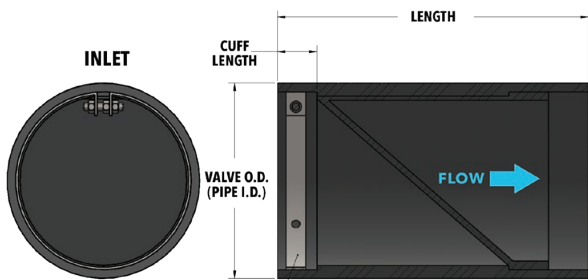


Available Elastomers
 Neoprene (Barnacle and Algae Resistant),
 NSF/ANSI Standard 61, EPDM, Nitrile,
 Natural Rubber, CSM and Chlorobutyl.

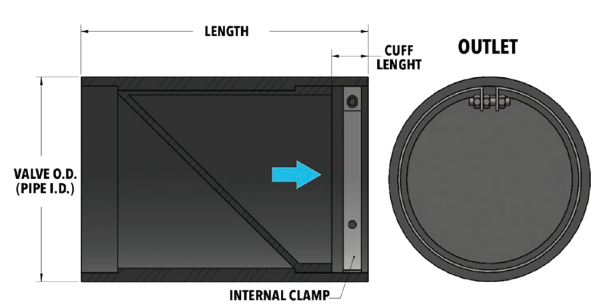


Detail of the *ProFlex*TM Low Headloss In-line Rubber Check Valve; Style 790

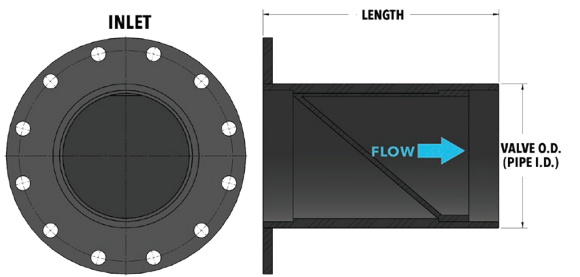
Upstream Clamp



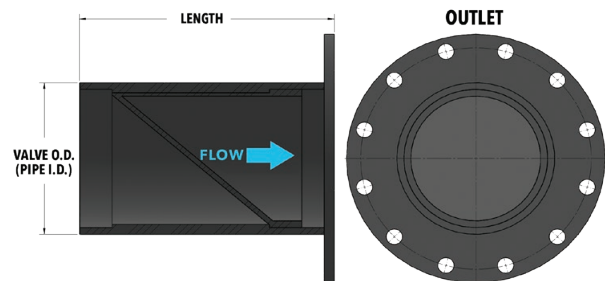
Downstream Clamp



Upstream Flanged



Downstream Flanged



Frequently Asked Questions

ProFlex™ Check Valves

1. Does the ProFlex™ rubber check valve have to be installed in a certain position?

Yes; it should be installed in a vertical position with the bill being the vertical. In zero clearance situations the valve can be rotated up to 30-35 Deg to gain bottom clearance if required.

2. In which degree can the ProFlex™ rubber check valve be installed?

Because the valve is not reliant on any hinges, gates, or weights the ProFlex™ rubber check valve can be installed in any angle from vertical to horizontal.

3. What is "Back Pressure"?

When the ProFlex™ rubber check valve is submerged in a liquid it is subjected to external pressure. It is critical that the maximum depth that the valve will be submerged is specified as this will be considered the maximum back pressure that the valve will be subjected to.

4. What is the cracking pressure to allow the valve to open?

1" to 2" of water column over back pressure will normally drain a pipe.

5. What back pressures can the ProFlex™ rubber check valve withstand?

Back pressures are in direct relation to the size of the valve, on the smaller diameters it is acceptable to specify up to 200 psi of back pressure and on larger diameters a back pressure limitation would be approximately 12 psi. Each ProFlex™ rubber check valve is manufactured to the exact line pressure, back pressure and flow rates which we require from you for manufacture. Proco can even supply valves up to 650 psi utilizing internal back pressure supports.

6. What are the most common installations?

The ProFlex™ 710 flanged rubber check valve is bolted directly to a head wall replacing an existing flap gate, the ProFlex™ 730 sleeved type rubber check valves are clamped directly to a fabricated flanged nipple or clamped directly to an existing pipe.

7. Can I use the ProFlex™ rubber check valve on potable water applications?

The ProFlex™ rubber check valves are available with an ANSI/NSF-61 certified elastomer. Due to the large demand for clean water and potable applications, this will eliminate the concerns commonly affiliated with contaminants or leaching of elastomers in potable water systems.

8. Can the ProFlex™ rubber check valve be installed on an "out of round" pipe?

Yes, please have the approximate dimensions from 4 different angles to provide proper sizing.

9. Can river currents and ocean waves damage the valves?

In most cases river currents and ocean waves will not damage the ProFlex™ rubber check valves, but if currents or waves in question are of an abnormal nature, it is suggested that side walls or rock pilings are utilized.

10. Can the ProFlex™ rubber check valve be used as a pressure relief valve?

The ProFlex™ rubber check valves have been designed to offer superior service as a backflow preventer and can also be considered as a pressure relief valve. Often used on reservoirs to prevent hydraulic lifting or floating of tanks.

11. Can PROCO make a special design to suit my requirements?

In most instances the ProFlex™ rubber check valve can be fabricated to suit different applications. Contact PROCO for your requirements.

12. What types of elastomer are available?

The ProFlex™ rubber check valves can be manufactured and supplied to withstand almost any type of media. Most commonly supplied is a barnacle and algae resistant Neoprene. Other common elastomers available are ANSI/NSF-61, ANSI/NSF-372 & EPDM. Contact Proco for other available elastomers.

13. What types of materials are available for the backing rings and banding clamps?

ProFlex™ rubber check valves are supplied with 316 stainless steel backing rings and 304 stainless steel clamps as a standard. Other materials are available upon request.

14. Can the ProFlex™ 710 be supplied with special flanges or drilling?

Yes, the standard drilling pattern is ANSI 125/150# drilling, other drilling standards such as: ANSI 250/300#, BS-10, DIN NP-10 and DIN NP-16, JIS-5k and JIS-10K are available upon special request.

15. Can I install a ProFlex™ rubber check valve near a residential area?

Yes, one of the unique features of the ProFlex™ rubber check valve is the design of the bill section. While the bill will open and allow passage of fluid when head pressure is present, the bill will close and not allow children or animals to crawl inside when there is no head pressure.

Since the ProFlex™ rubber check valve is manufactured entirely of rubber compounds there is no chance of loud banging which is commonly heard from flap type valves.

16. Can I use a ProFlex™ rubber check valve in winter conditions?

Yes, as in any installation the ProFlex™ rubber check valve will not be hindered by winter or sub-zero installations. If the valve is installed in a running water application the valve will continue to operate satisfactorily, due to the elastomers unique chemical makeup. If unusual circumstances occur the ProFlex™ rubber check valve will freeze without any damage and will return to operation upon thaw.

17. Will the ProFlex™ rubber check valve operate if buried in sand or sediment?

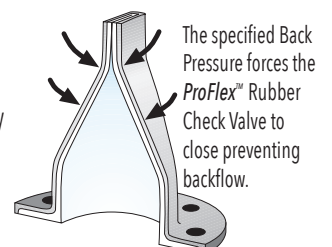
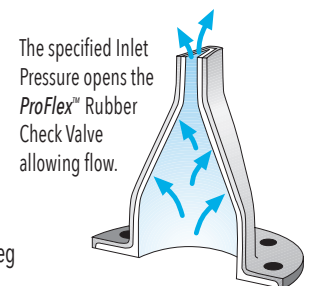
In normal conditions the discharge flow will create a small flow pattern which will then be followed by the flow velocity of the media. This velocity will flush the rest of the sediment away from the valve opening. This has been found to be unique only to the straight bill design as supplied by Proco.

18. What is the maximum temperature that the ProFlex™ rubber check valve can handle?

Temperature can range from - 65 Deg to +400 Deg depending on the specified elastomer.

19. What is the life expectancy of the ProFlex™ Rubber check valves?

All of the ProFlex™ valves are manufactured with the highest grade of elastomers, which commonly are known to supply 35-50 years of service life.





(800) 344-3246
sales@procoproducts.com



2431 North Wigwam Dr. (95205)
P.O. Box 590 • Stockton, CA
95201-0590 • USA

Toll-Free Phone: (800) 344-3246 **NATIONWIDE AND CANADA**

Facsimile: (209) 943-0242

(209) 943-6088 **INTERNATIONAL**

email: sales@procoproducts.com

website: <http://www.procoproducts.com>



Industrial Distributor Co-op



REPRESENTED BY:

