



DUAL SLURRY AIR RELEASE VALVE (DSARV)

DUAL's Air/Vacuum Release and Vacuum Breaker's function is to automatically exhaust large volumes of air from the system when it is being filled and also to allow air to re-enter the pipe line when being emptied. The orifice size is generally the same size as the valve inlet and outlet.

In Operation, when the system is filled, the fluid lifts the ball until it closes the orifice. The orifice will remain closed until the system is emptied. Air may enter the valve and displace the fluid while the system is in operation, however, internal pressure will continue to hold the valve closed. The valve will not re-open until the system pressure drops to near atmospheric pressure and the ball is no longer buoyant.



FEATURES

- No blocking or leakage.
- No sticking due to rotating ball.
- Natural rubber secondary seal for positive seal.
- Fabricated and can be repaired in line.
- Self cleaning ball action.
- Cast body or fabricated.

PRODUCT SPECIFICATION

VALVE HOUSING: Valve housing is cast SG Iron, fabricated carbon steel or stainless steel (304 or 316).

LINING: Valve housing can be epoxy coated or natural rubber lined. A range of elastomer grades are available for corrosive duties.

URETHANE BALL: Guided HDPE floating ball, solid urethane or hollow stainless steel for high pressure.

PRESSURE RATING: Working pressure standards are 10 up to 160 bar for Air Release Valves, and up to 25 bar for combination valves for use on slurries.

VALVE SEAT: Natural rubber or stainless steel (304 or 316)

DRILLING PATTERNS: ANSI B16.5, DIN, SABS & BS, Optional

SIZES: 50mm through to 200mm
Larger sizes on request.

TEMPERATURE RATINGS: Operating temperatures to 80°C. Higher conditions are possible if the valve is constructed from suitable materials.

MATERIAL CERTIFICATION: Certified chemical and physical test reports can be supplied.

ACCESSORIES

- Secondary Air Release valve
- Special coatings
- Urethane ball
- Stainless Steel ball

APPLICATIONS

- Slurry pipelines
- Deep well pumping
- Waterlines
- Sewage
- Pump suction
- Pump discharge

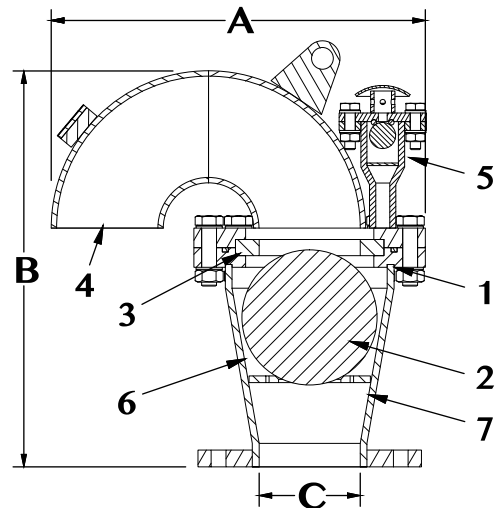
BOTTOM ASH APPLICATION



HOW THE DUAL VENT VACUUM BREAKER WORKS

Automatically releases air from the pipeline when filled and stops air from entering the pipeline when emptied

VENT ONLY DUAL VACUUM BREAKER



DIMENSIONS AND WEIGHTS

VALVE SIZE (mm)	2" 50mm	3" 80mm	4" 100mm	6" 150mm	8" 200mm
A	299	387	422	587	714
B	285	402	437	554	711
C	50	80	100	150	200
Weight(kg)	25	35	50	70	90

Contact Dual Valves for larger sizes. Dimensions are for guidance only - detailed dimension drawings available on request. All dimensions are in millimeters, unless stated.

	PART	DESCRIPTION
1	Body	Carbon, Cast or Stainless Steel
2	Ball	HDPE, Urethane or Stainless Steel
3	Seat	Stainless Steel, Urethane or Natural Black Rubber
4	Air Vent	Carbon or Stainless Steel
5	Secondary ARV	Reinforced Nylon with Rubber or EPDM Seal
6	Ball Guides	Carbon or Stainless Steel
7	Lining	Optional