



DUAL DIVERTER GATE VALVE (DDGV)

DUAL's Diverter Gate Valve has a stainless steel gate machined with a round orifice port, in line with seat ID when the valve is in the open position. When the valve is closed the ported gate will move sideways sealing the one port and opening the other. Due to the seal being constantly engaged against the gate, stroking the valve closed forces the gate progressively between the two matching sleeve ends until it reaches the fully closed position - at which point the sleeves each butt up tightly against either side of the gate, effectively sealing and completely containing the line pressure. Build up of material to prevent full gate travel is eliminated as there are no areas for such material to accumulate. Any material discharged between the sleeves during stroking open or closed is collected within the containment area of the valve body and drained via the multiple flushing ports in the body. The Ported Gate valve can be used as a man-safe line blanking valve.

- No clogged bonnet to impede flow
- External epoxy coated
- Low maintenance requirements
- As the valve strokes, the seats will clean the gate of material
- Compact design and light weight
- Bi-directional flow
- Packingless design
- The gate can be coated to eliminate scale build-up
- No seat cavity where solids can collect and prevent full gate closure
- Open/close indicator
- Lifting Lugs
- Lock out feature



FEATURES

- 300 psi (21bar)
- Double seat design for heavy duty slurry service
- Ease of replacement of elastomer sleeves
- Material Construction options available
- Quick installation
- Self cleaning
- Bubble tight shutoff, zero downstream leakage

PRODUCT SPECIFICATION

BODY:	Flanged or Wafer Pattern steel, epoxy coated.
ELASTOMER SLEEVES:	Gum Rubber (standard), Nitrile, Viton, EPDM, Chlorobutyl, Urethane.
RETAINER FLANGES:	Rubber covered carbon steel flanges (80mm thru 600mm).
PRESSURE RATING:	DN80 to DN600 rated to 300 psi (21 Bar) using 316SS gate.
GATE MATERIAL:	316 Stainless Steel standard- 316L, 317L, 17-4PH, Alloy 20, SAF 2205 S/S with optional wear coatings.
DRILLING PATTERNS:	DN80 to DN250 drilled and tapped, ASME B16.5, DIN, SABS and BS. DN300 to DN600 flanges are slotted.
CERTIFICATION: TEMPERATURE RATING:	Certified chemical and physical test reports can be supplied. 90°C maximum.

ACTUATORS

All types of actuators can be fitted, electric, gearbox, hydraulic, pneumatic and handwheel.

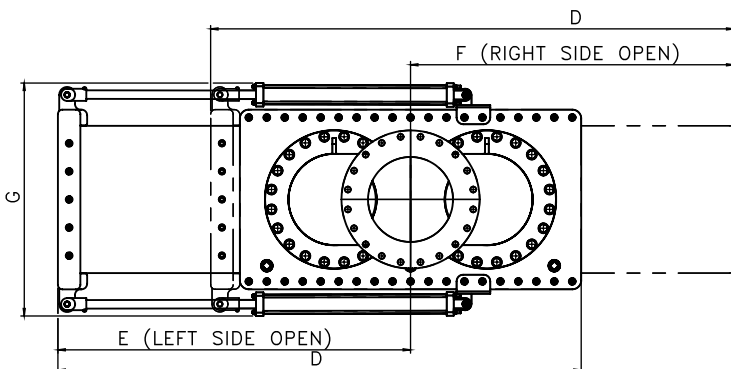
VALVE BODY - STANDARD FEATURES

- Flush ports on both sides of the valve body
- Protective spindle cover
- Drain ports
- Lubrication ports on both sides of the valve body
- Adaptable (yoke) design can be field modified to take air cylinder, gearbox or hydraulic actuators
- Lock out, ready for factory supplied lock out pin

APPLICATIONS

- Mining and mineral processing
- Power generation
- Sand and gravel
- Chemical and petrochemical
- Pulp and paper
- Environmental and effluent
- Alumina and soda ash

DIMENSIONS AND WEIGHTS

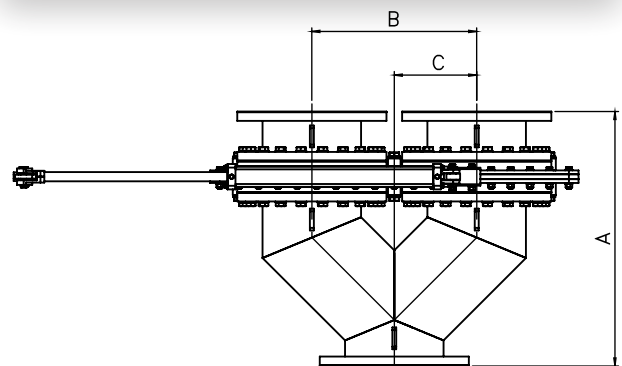


HOW THE RUBBER RING SLEEVE WORKS

Matching rubber ring sleeves with stiffener J-rings are placed in the valve housing to seal against the gate when the valve is in the closed position and seal against the O-Port gate when the valve is in the open position. This tight fit contains the high internal line pressure. Double seated design provides bi-directional flow and shut off.

ACCESSORIES

- Limit switches
- PTFE coating of gate
- Various gate materials optional



VALVE SIZE (mm)				HW	BG	AC	HYC					HW	HW/BG	VALVE WEIGHT (kg)			
	A0	B	C	D	E	F	G	H0	J0	K0	M0	HW	BG	AC	HYC		
80	650	230	115	825	565	490	400	62	72	300	300	50	60	70	70		
100	700	270	135	955	610	535	435	85	99	300	300	60	90	100	100		
150	800	330	165	1120	780	705	510	137	148	500	500	70	100	120	120		
200	850	390	195	1345	845	770	620	175	197	500	500	100	130	150	150		
250	900	460	230	1570	1055	980	650	231	249	500	500	110	140	180	180		
300	950	520	260	1765	1180	1105	780	274	293	600	600	160	190	220	220		
350	1000	590	295	1995	1330	1255	910	318	337	600	600	250	280	310	310		
400	1050	680	340	2330	1570	1440	1040	356	375	700	700	420	450	490	490		
450	1210	750	375	2430	1640	1540	1090	378	426	700	700	490	510	550	550		
500	1315	850	425	2915	1965	1800	1300	421	470	700	700	520	550	590	590		
600	1575	1020	510	3495	2355	2160	1560	539	585	700	700	600	620	690	690		

Contact Dual Valves for larger sizes. Dimensions are for guidance only - detailed dimension drawings available on request. All dimensions are in millimeters, unless stated.



CORPORATE HEADQUARTERS:
166 ROTTERDAM ROAD
(CNR ROTTERDAM ROAD & ANTWERP STREET)
APEX, BENONI, GAUTENG, SOUTH AFRICA



PO BOX 12520, BENORYN 1504
TEL: +27 11 422 4326/7
FAX: +27 11 421 7842
email:sales@dualvalves.com



VAMCOSA

www.dualvalves.com

Built to Last