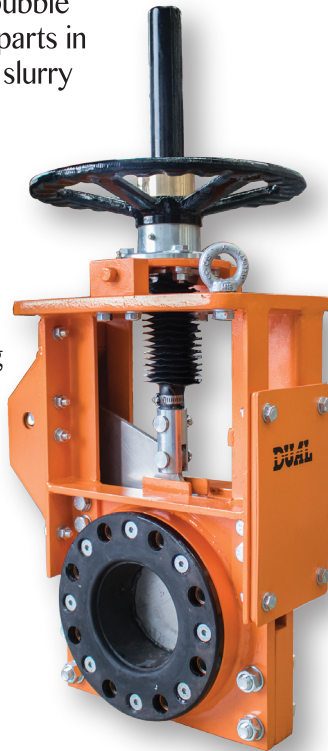




DUAL PIVOT HIGH PRESSURE GATE VALVE(DPHPGV)

DUAL's Pivot High Pressure Gate Valve is built with a steel body and features a heavy-duty stainless steel gate. Removable sleeves on either side of the gate provide a bi-directional bubble tight seal, with no metal parts in contact with the flowing slurry in open position.

As the Dual Pivot High Pressure Gate Valve rotates on the pivot point and the gate moves through the Dual Ring Sleeves from the side eliminating the damage caused to the sleeves by the traditional Knife Gate Blade.



FEATURES

- 740 PSI / 50 Bar (higher pressures on request).
- Double Seat design for heavy duty slurry service.
- Ease of replacement of sleeves.
- When open, the gate is fully pivoted out of the slurry flow.
- Gate guard.
- Bubble tight shutoff, zero downstream leakage.
- No clogged bonnet to impede flow.
- External epoxy coated.
- Easily adapted to suit most actuators
- Low maintenance requirements.
- Suitable for wet or dry service.
- Bi-directional flow.

- Packingless design.
- Long lasting lubrication..
- Rotary style movement of the gate.
- Face to face equal to High Pressure Knife Gate Valve.
- Flush ports.
- Light weight for easier handling.
- No seat cavity where solids can collect and prevent full gate closure.
- No gland to maintain.
- Wide range of elastomers available.
- Dual sleeve isolation

PRODUCT SPECIFICATION

BODY:	Flanged Pattern, fabricated steel, epoxy coated.
ELASTOMER SLEEVES:	Gum Rubber (standard), Nitrile, Viton, EPDM, Chlorobutyl, Urethane.
RETAINER: FLANGES	Rubber covered carbon steel flanges (80mm through 900mm).
PRESSURE RATING:	DN80 to DN900 rated to 740 psi (50 Bar) using 316SS Gate.
GATE MATERIAL:	316 Stainless Steel standard- 316L, 317L, 17-4PH, Alloy 20, SAF 2205 S/S with optional wear coatings.
DRILLING PATTERNS:	DN80 to DN250 drilled and tapped ASME B16.5, BS, DIN, SABS DN300 to DN900 flanges are slotted.
MATERIAL CERTIFICATION:	Certified chemical and physical test reports can be supplied.

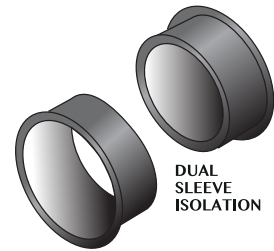


STANDARD FEATURES - VALVE BODY

- Splash guard with flush ports.
- Protective bellows.
- Open/closed lock out.
- Lubrication ports on both sides of the valve body.
- Limit switch brackets.
- Adaptable tower design can be field modified to take air cylinder, gearbox, hydraulic or electric actuators.

APPLICATIONS

- Mining and mineral processing.
- Power generation.
- Sand and gravel.
- Chemical and soda ash.
- Pulp and paper.
- Environmental and effluent.



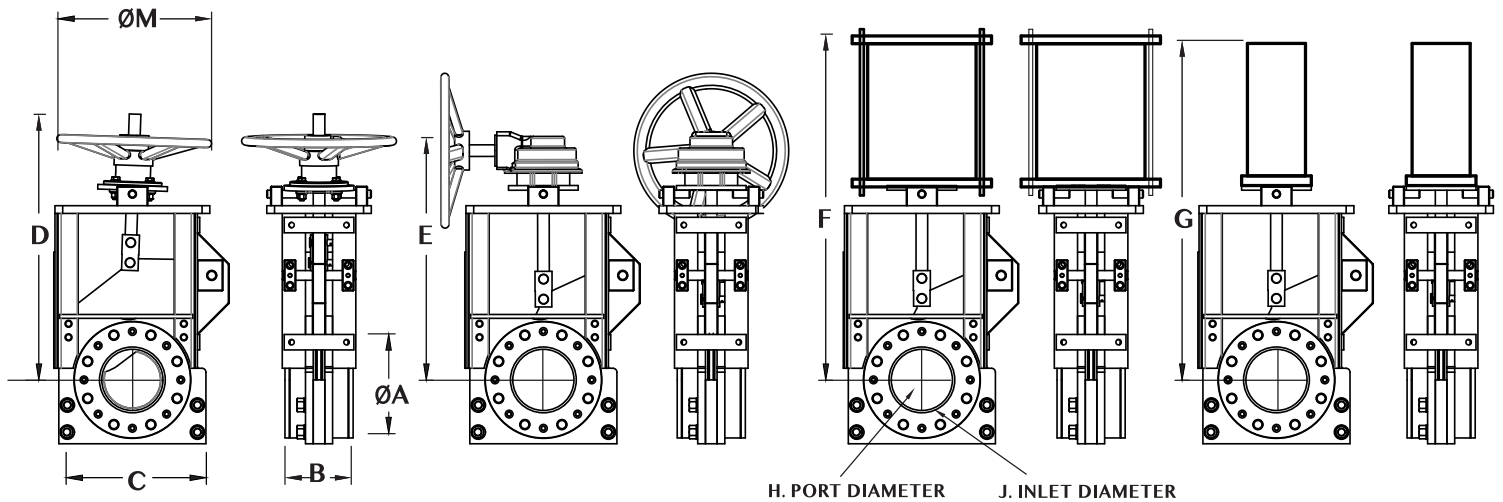
DIMENSIONS AND WEIGHTS

HW

BG

AC

HC



VALVE SIZE													VALVE WEIGHT (kg)			
	AØ	F/F B	C	HW D	BG E	AC F	HYC G	HØ	JØ	K	HW M	HW/BG ØN	HW	BG	AC	HYC
80	191	175	320	481	544	545	624	62	72	403	176	300	30	58	39	58
100	229	175	340	553	593	609	702	85	99	429	232	300	40	65	60	65
150	280	178	405	712	809	679	864	137	148	455	262	500	50	80	85	85
200	343	185	460	836	379	890	974	175	197	483	340	500	65	97	916	96
250	407	226	515	985	1083	1029	1124	231	249	595	430	500	90	125	141	100
300	483	258	565	1206	1206	1156	1350	274	293	648	430	600	170	194	304	165
350	536	258	625	1355	1355	1358	1469	318	337	671	430	600	200	204	327	188
400	591	280	685	1453	1453	1529	1628	356	375	703	480	700	240	260	512	250
450	639	312	735	1693	1693	1718	1747	378	426	771	480	700	260	397	604	431
500	693	359	790	1828	1828	1867	1891	421	470	795	600	700	330	479	763	545
600	813	372	900	2190	2190	2236	2277	539	585	883	600	700	480	490	993	636
650	870	373	950	-	-	-	2495	597	636	-	600	-	-	-	-	773
750	1010	397	1000	-	-	-	2750	680	737	-	600	-	-	-	-	976
900	1180	469	1235	-	-	-	3320	810	890	-	600	-	-	-	-	1588

Contact Dual Valves for larger sizes. Dimensions are for guidance only - detailed dimension drawings available on request. All dimensions are in millimeters, unless stated.



CORPORATE HEADQUARTERS:
166 ROTTERDAM ROAD
(CNR ROTTERDAM ROAD & ANTWERP STREET)
APEX, BENONI, GAUTENG, SOUTH AFRICA



PO BOX 12520, BENORYN 1504
TEL: +27 11 422 4326/7
FAX: +27 11 421 7842
email:sales@dualvalves.com



www.dualvalves.com

Built to Last